

GOLDEN
CUP



**WE
HELP
YOU
GROW
YOUR OWN
BUSINESS**





One Stop Shop!



As a strategic packaging partner for the food service industry, our marketing services stand as Saudi Arabia's sole full-service manufacturer, marketer, and distributor of disposable packaging products.

From developing new packaging concepts to enhancing your brand with custom prints, we bring extensive creative and technical expertise in delivering innovative and practical food and beverage packaging solutions.

Introduction

Innovation, quality & reliability.

Established in 2016, we manufacture, and distribute innovative packaging products for the food-service industry to cover a wide range of occasions under our iconic brand Golden Cup.

We are proud of our Saudi heritage and have been at the heart of the packaging industry for years. We believe that an essential ingredient to our success is our ability to respond quickly to our customers' needs and create true value for them.

Supported by our state of the art manufacturing technologies and product innovations, we offer a comprehensive range of solutions that focus on current lifestyle trends and enhance the quality and freshness for your products everyday.

We have a dedicated, in-house team of customer service, sales executives and technical experts who work closely together to not only deliver a personalised, efficient service, but also to create a solution that meets your business specific needs.



“We are proud of our Saudi heritage and have been at the heart of the packaging industry.”

About us

A customer-driven approach to the food service industry

With most of our products being manufactured in Saudi Arabia in certified facilities, and distribution centers located throughout the East and West coasts, we have the ability to react quickly to today's fast changing markets, and ensure ongoing deliveries.

OUR VISION

To be the leading provider of innovative, sustainable, and high-quality paper cup solutions across Saudi Arabia and the GCC. We aim to set the benchmark for excellence in the food service packaging industry, leveraging our expertise to help brands, especially coffee shops, stand out and thrive in a competitive market.



OUR MISSION

Our mission is to revolutionize the food service industry with exceptional paper cup solutions that blend innovation, efficiency, and sustainability. We are committed to empowering brands by offering packaging that not only protects your products but also enhances your brand's visibility. Through our dedication to quality and environmental responsibility, we help coffee shops and businesses innovate and make a lasting impression.

Jeddah



1000+ Range of products



80% of our products are made in owned facilities

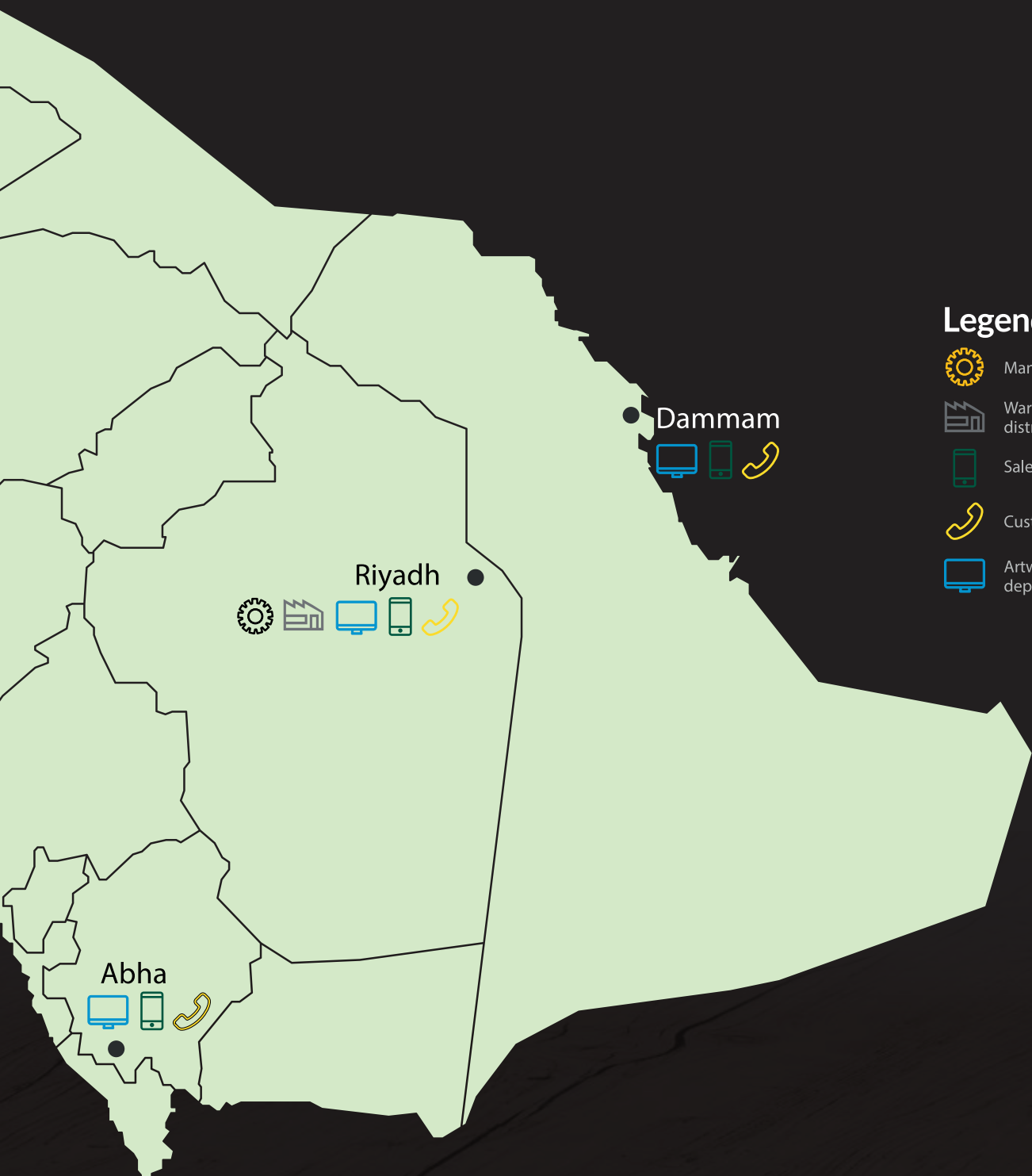


95% of our products are Saudi made



Comprehensive WEBSITE

- | Find information on all our food packaging solutions
- | Download our updated catalogue and brochures
- | Find distributors near you
- | Request product quotes
- | Send a pantry list enquiry



Legend

-  Manufacturing
-  Warehousing & distribution
-  Sales support
-  Customer service
-  Artwork & print department



4+

**Golden Cup
Sales Offices**



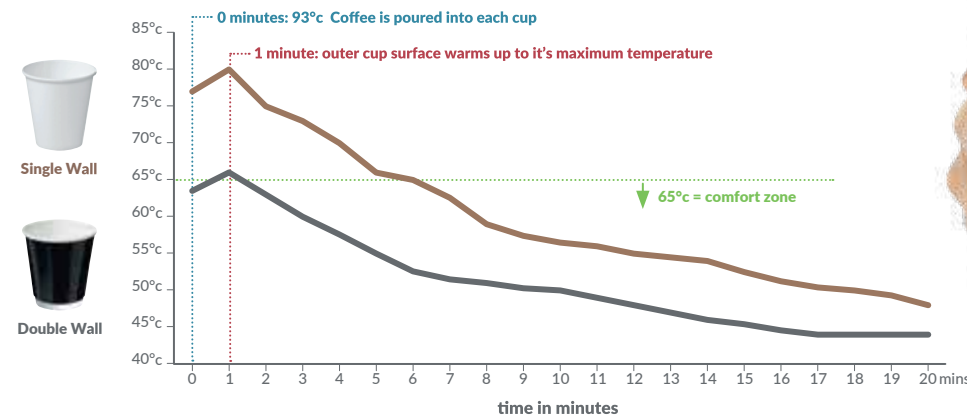
INNOVATION

Which cup do I need?

Golden Cup Factory Coffee Cups are designed to keep your drinks hotter for longer – allowing customers to enjoy every sip without the compromise of taste and temperature. With its single or double layers of insulation, our cups have an extremely high rate of heat protection adding extra comfort for your customers.

The temperature at the outer surface of the cup is measured every minute. This is the 'holding temperature', the heat that your hand feels when holding your coffee. A comfortable holding temperature is 65° C. This graph shows the difference in holding temperature for each cup type over time.

To test the insulation properties of each cup, we poured black coffee equivalent into each cup type. (This is an extreme test starting at a higher than average temperature of 93° C).



Combo cup lids

Our Eco-Smart paper coffee cup lids have been designed with a secure SnapOn® fit around the cup for a safe and leak-free experience. The ergonomic design of the sipper has been created to provide a comfortable drinking position without the intrusiveness of a traditional spout.



- Made with Eco-Smart® biodegrading* technology
- Made from recyclable polystyrene (PS)
- Secure Snap-On lid fit
- Provides safe transportation of hot drinks
- Saudi Made in certified facility

Classic cup lids

Snap-On paper coffee cup lids are designed to fit Golden Cup Factory Classic Single Wall Cups for baristas who prefer the two-lid system for easy cup size differentiation.



Double Wall Cups



Golden Cup Factory Double Wall Insulcups are the ultimate solution for protecting hands from hot coffee or tea. The insulating air pocket between two layers minimises heat transfer, making it suitable for any type of beverage.



Recyclable



Sustainably sourced paper



Printed with safe foods inks



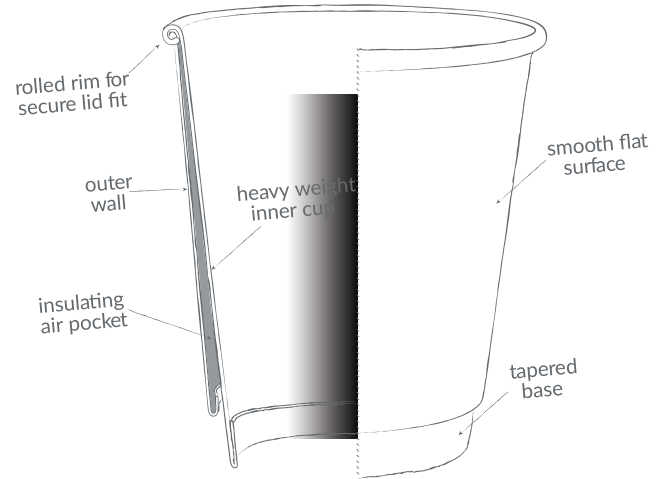
Lids Fits all cup sizes



Saudi Made in certified facilities



Brand Builders custom printing available



Double Wall cups

Special



Foil Stamp



Metalized



Offset



Textured

Type	Sizes	Extra options	Sleeve qty	Carton qty
Foil stamp	4/7/8/10/12/16oz	Works with every type and size of paper cups	25	500
Metallized	8/10/12/16oz	Available with foil stamp	25	500
Offset	8/10/12/16oz	Unlimited colors/Available with foil stamp	25	500
Textured	8/10/12/16oz	Works with every size of paper cups	25	500

Custom Designs



16 oz



12 oz



10 oz



8 oz

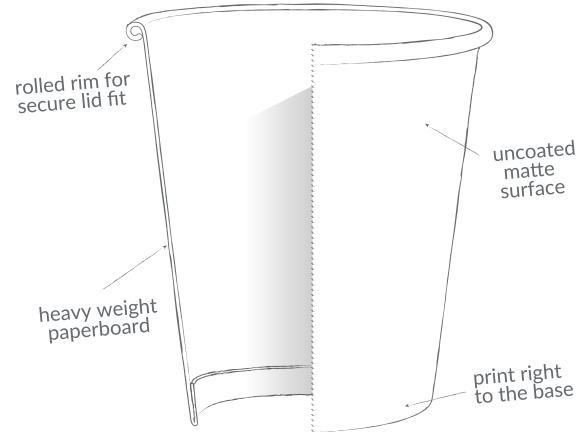
Size	Brim fill	Color	Sleeve qty	Carton qty
8 oz	8 oz	Special color in each design	25	500
10 oz	10 oz	Special color in each design	25	500
12 oz	12 oz	Special color in each design	25	500
16 oz	16 oz	Special color in each design	25	500

Hot Drinks Cups

Single Wall Cups



Made from heavy weight paperboard, Golden Cup Factory single wall coffee cups allow customers the flexibility to serve lattes and cappuccinos in a single cup, while double cupping for hotter beverages such as a long black or tea.



Customs Designs



Size	Brim fill	Color	Sleeve qty	Carton qty
4 oz	4 oz	Special color in each design	50	1000
7 oz	7 oz	Special color in each design	50	1000
8 oz	8 oz	Special color in each design	50	1000
10 oz	10 oz	Special color in each design	50	1000
12 oz	12 oz	Special color in each design	50	1000
16 oz	16 oz	Special color in each design	50	1000

Multi Colors P.P Lids



Recyclable P.E.T. Cups

P.E.T. cold cups and lids are designed with presentation, portion control and recyclability in mind. With exceptional clarity and performance, our cups are ideal for heavier blended drinks, gourmet frozen beverages and yoghurt parfaits.



High clarity material



Secure, leak-resistant lids



Strong, durable and crack-resistant



Made from recyclable P.E.T.

Clear P.E.T. Cups



Color	Size	Sleeve qty	Carton qty
Clear	8 oz	50	1000
Clear	10 oz	50	1000
Clear	12 oz	50	1000
Clear	14 oz	50	1000

Color	Size	Sleeve qty	Carton qty
Clear	16 oz	50	1000
Clear	20 oz	50	1000
Clear	12 oz U	50	1000
Clear	16 oz U	25	500

P.E.T. Lids



Color	Description	Sleeve qty	Carton qty
Clear	Flat lid, straw slot	100	1000
Clear	Dome lid, straw hole	100	1000
Clear, colors	PP lid, straw hole heart shaped crok	50	1000
Clear	Flat Lid, straw hole Drinking hole with click	50	1000



CUPS ESSENTIALS



Benefits of moulded cup carriers

- Safetransportation of drinks to go
- Reduced logistic and storage space, up to 50% less than standard cup carriers, due to compact nesting



Moulded Two Cups Carrier



Smart Cups Carrier



Two Cups Standard Base



Moulded Four Cups Carrier



Smart Cups Carrier



Four Cups Standard Base



Thermo Disposable Coffee Dispenser



**CUSTOM
PRINT**

Our pack, your design!



BAG IT & CARRY IT



Customise these bags with labels



Elegance Laminated Bag with window



Take Away Bag with Handle



Sandwich Bag



Entertainment Snack Bag



Coffee Bag

CUSTOM PRINT

Our bags, your design!



Laminated Sandwich Bag with base

TAKE AWAY PACKS

CUSTOM PRINT



Standard Scoop



Standard Clamshell



Open Ended Tray



Large Scoop



Large Clamshell



Large Open Ended Tray



Open Tray



Standard Cone



Rectangle Tray



Large Open Tray



Noodle Box



Multi Food Box

MULTI-FOOD POTS



**CUSTOM
PRINT**



Small Multi-Food Pot & Lid



Multi-size
Arc Dome lid



Ice cream
Multi-size Pot



Medium Multi-Food Pot & Lid



Large Multi-Food Pot & Lid

FOOD ESSENTIALS

CUSTOM PRINT



Black Cutlery



Custom Napkins



Standard Napkins



Clear Cutlery



Cutlery Set



Sugar Sticks



Wooden Stirrer



Wet Tissue



Spoon Straws

Join The Elite



وزارة الاستثمار
Ministry of Investment



وزارة الاقتصاد والتخطيط
MINISTRY OF ECONOMY & PLANNING



وزارة الثقافة
Ministry of Culture



وزارة السياحة
Ministry of Tourism

stc



UCOFFEE

KUDU

80z
COFFEE

باجة
baja

lose
NEVER OVERDOSE



crepe
affaire



تويو | تو يو
TO YOU



JOLT



AANI & DANI
Chocolatier-1998



SINCE 2009
مزاج
MEZAJ





Plastic lining made from

Eco-Sips
Hot & Cold

sustainable



www.GoldenCupKSA.com

 GoldenCupKSA
 GoldenCupKSA